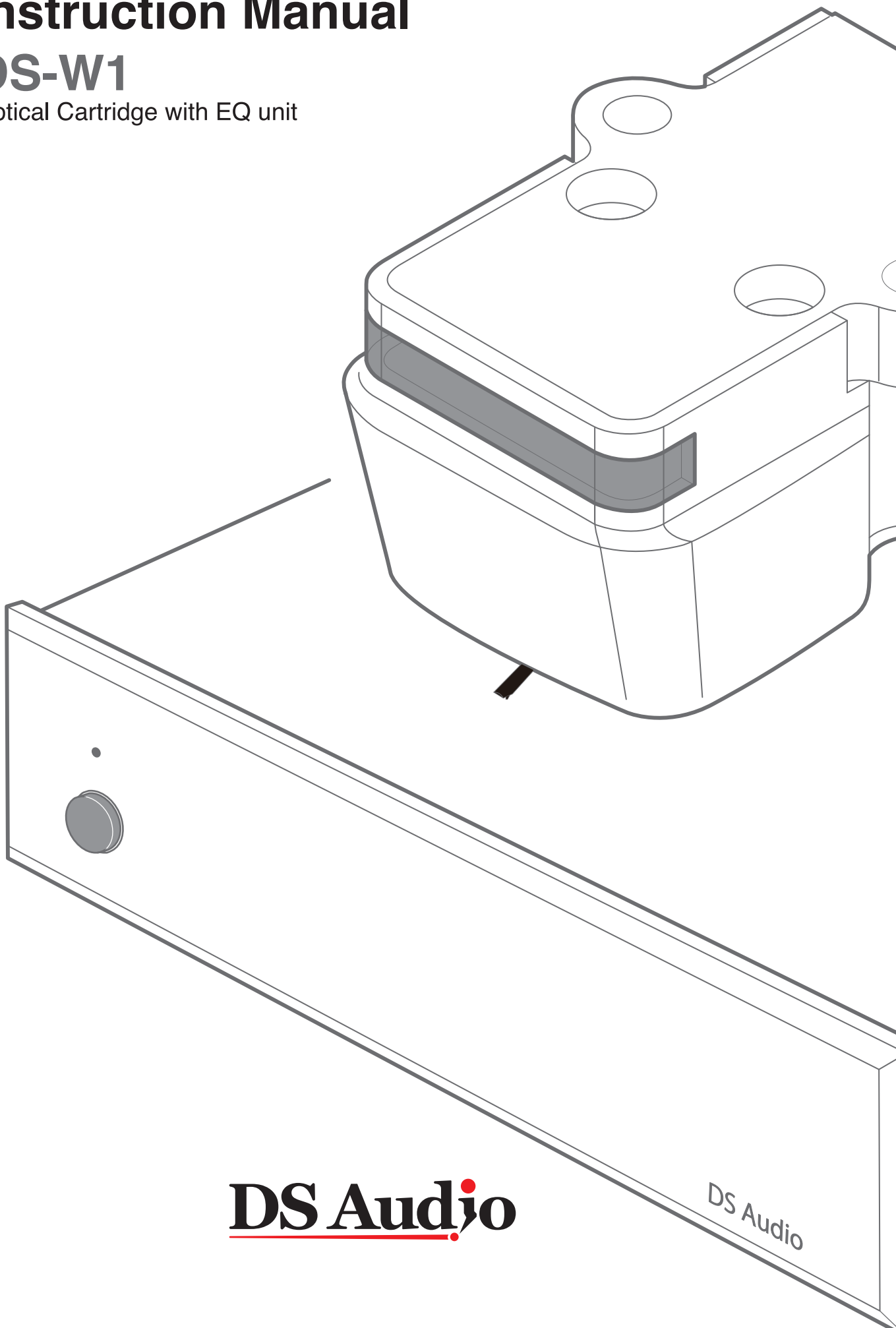


Instruction Manual

DS-W1

Optical Cartridge with EQ unit



DS Audio

DS Audio

Precautions

On placement

- Place the player in a location with adequate ventilation to prevent heat build-up in the apparatus.
- Do not place the player on a soft surface such as a rug that might block the ventilation holes on the bottom.
- Do not place the player in a location near heat sources, or in a place subject to direct sunlight, excessive dust or mechanical shock.

Power requirements

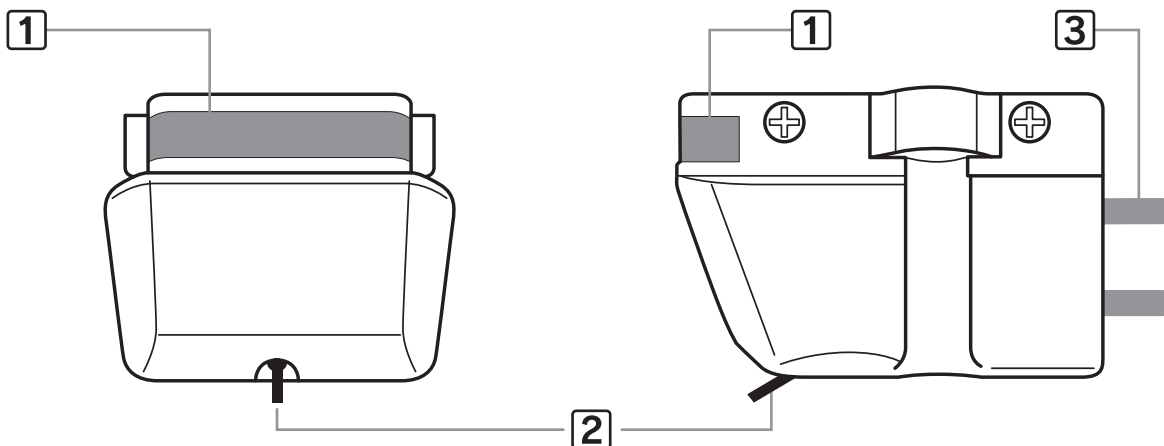
- [V AC, 50 / 60 Hz]

POWER-CORD CAUTION

Handle the power cord by the plug. Do not pull out the plug by tugging the cord and never touch the power cord when your hands are wet as this could cause a short circuit or electric shock. Do not place the unit, a piece of furniture, etc., on the power cord, or pinch the cord. Never make a knot in the cord or tie it with other cords. The power cords should be routed such that they are not likely to be stepped on. A damaged power cord can cause fire or give you an electrical shock. Check the power cord time to time.

On repair

- Please consult our authorized dealer nearest to you



1 Power indicator LED

LED indicates power is on when it is lit. When Equalizer is turned on, yet LED is not lit, check the Cartridge connection / Equalizer connection

2 Cantilever / Stylus

Adjust the Stylus pressure carefully as recommended. Other settings should follow as those for MM / MC cartridge.

3 Output pins

Connect Output pins as described in “Output pin connection”.



Precautions

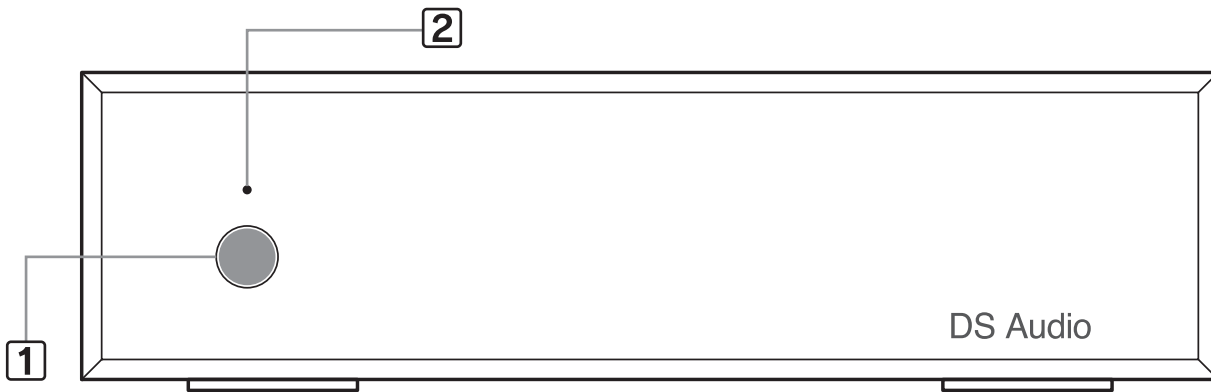
1. Clean the cabinet, panel, and controls with a soft cloth slightly moistened with a mild detergent solution. Do not use any type of abrasive pad, scouring powder, or solvent such as alcohol or benzene.
2. Operational temperature should be 20degreeC to 26degree C. Warming up is recommended in winter time.
3. This optical cartridge is Amplitude proportional signal read out. It required our designated equalizer. Outputs from the equalizer should be connected to CD / AUX terminals of your amplifier. Do not connect to Phono terminals.

“Output pin connection”

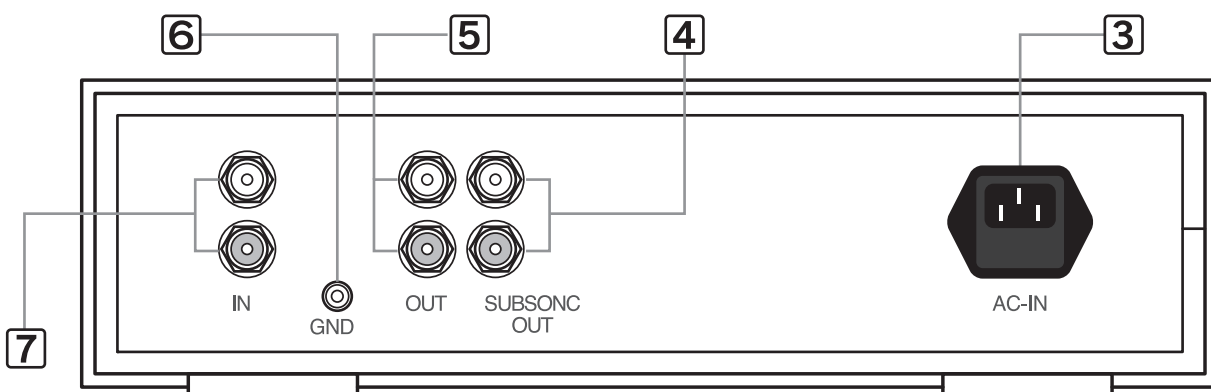


◀ Stylus Replacement ▶

Stylus replacement is available at DS-Audio. Please consult our authorized dealer for its cost and time.



- 1 Power Switch** Power On / Off button
- 2 Power Indicator** LED is on when the power is on



- 3 AC Power Input**
AC power line attached is connected to the AC Power Source
- 4 SUBSONIC OUT (Line out)**
Active subsonic filter is included, where 25Hz and below signal are cut off at 12dB/oct. Recommended to use subsonic line out when a record with excess bending is played back. Connect to AUX terminal of your pre/main amplifier.
- 5 OUT**
Standard Output. Connect to your AUX terminal of your pre/main amplifier. Do not connect MM/MC cartridge to this Equalizer. It may break MM/MC cartridge.
- 6 GND**
Connect ground line of your turn table player
- 7 IN**
L / R channel lines of your turn table player are connected to those terminals. Make sure that each channel is connected to the same channel, while Optical cartridge is taking power out from those lines, Misconnection may damage the cartridge.

Trouble shooting

Should any problem persist after you have checked those symptoms, please consult our authorized dealer nearest to you.

Symptom	Cause	Corrective action
No Power	No AC power	Check the power cord connected securely Plugs are dirty. Clean the plugs with a dry soft cloth periodically.
No sound	Loose connection	Connect signal plugs firmly. Plugs are dirty. Clean the plugs with a dry soft cloth periodically.
Hamming noise	Loose Ground connection Plugs are dirty	Connect ground line firmly. place it away from noise source such as transformer / motor
No sound when switched on	This EQ contains ample capacitance for the best sound quality. It takes few minutes to warm up.	we recommend one minute of warm up time

Specifications

DS-W1

Optical Cartridge

Signal output	Phono-electric Conversion
Output Signal level	500mV and more(at Equalizer output)
Channel Separation	20dB and more
Needle Pressure	1.3g ~ 1.7g(1.5g is Recommended)
Canti-lever	Boron
Stylus	Shibata Stylus
Weight	6.5g
Body Material	Aluminum Machine tooled

Equalizer for Optical Cartridge

Rated output voltage	500mV (1kHz)
Input terminal	RCA Terminals
Output Terminal	RCA Terminals (Standard output, Subsonic Output)
Size	325W×96H×210D (mm)
Impedance	120Ω
Weight	5.5kg

Warranty

WARRANTY

Owner's Record

The model and serial numbers are located on the bottom. Record the serial number in the space provided below. Refer to these numbers whenever you call your Cartridge dealer regarding this product.

Model No. DS-W1

Serial No. _____

WARNING

To reduce fire or shock hazard, do not expose the unit to rain or moisture.

IMPORTANT SAFETY INSTRUCTIONS

-SAVE THESE INSTRUCTIONS

-TO REDUCE THE RISK OF FIRE OR ELECTRIC SHOCK, CAREFULLY FOLLOW THESE INSTRUCTIONS

LIMITED WARRANTY

DS Audio warrants this product against defects in material or workmanship for the time periods as stated below. Pursuant to this Limited Warranty, DS Audio will, at its option, (1) repair the product using new or refurbished parts or (2) replace the product with a new or refurbished product. For the purposes of this warranty, "refurbished" means a product or part has been returned to its original specifications. In the event of a defect, these are your exclusive remedies.

For a period of one (1) year from the original date of purchase of the product, DS Audio, at its option, repair or replace with new or refurbished product, product determined to be defective.

This limited warranty covers only the hardware components packaged with the product. It does not cover technical assistance for hardware.

Instructions: To obtain warranty service, you must deliver the product, freight prepaid, in either its original packaging or packaging affording an equal degree of protection to the DS Audio authorized service facility specified.

Any parts or product replaced under this limited warranty will become the property of DS Audio.

This limited warranty only covers product issues caused by defects in material or workmanship during ordinary consumer use. It does not cover product issues caused by any other reasons, including but not limited to product issues due to commercial use, acts of God misuse, limitation of technology, or modification of any part of product.

This limited warranty is invalid if the factory-applied serial number has been altered or removed from the product.

This limited warranty is valid with the official receipt of our authorized dealer which indicating the date of your purchase.