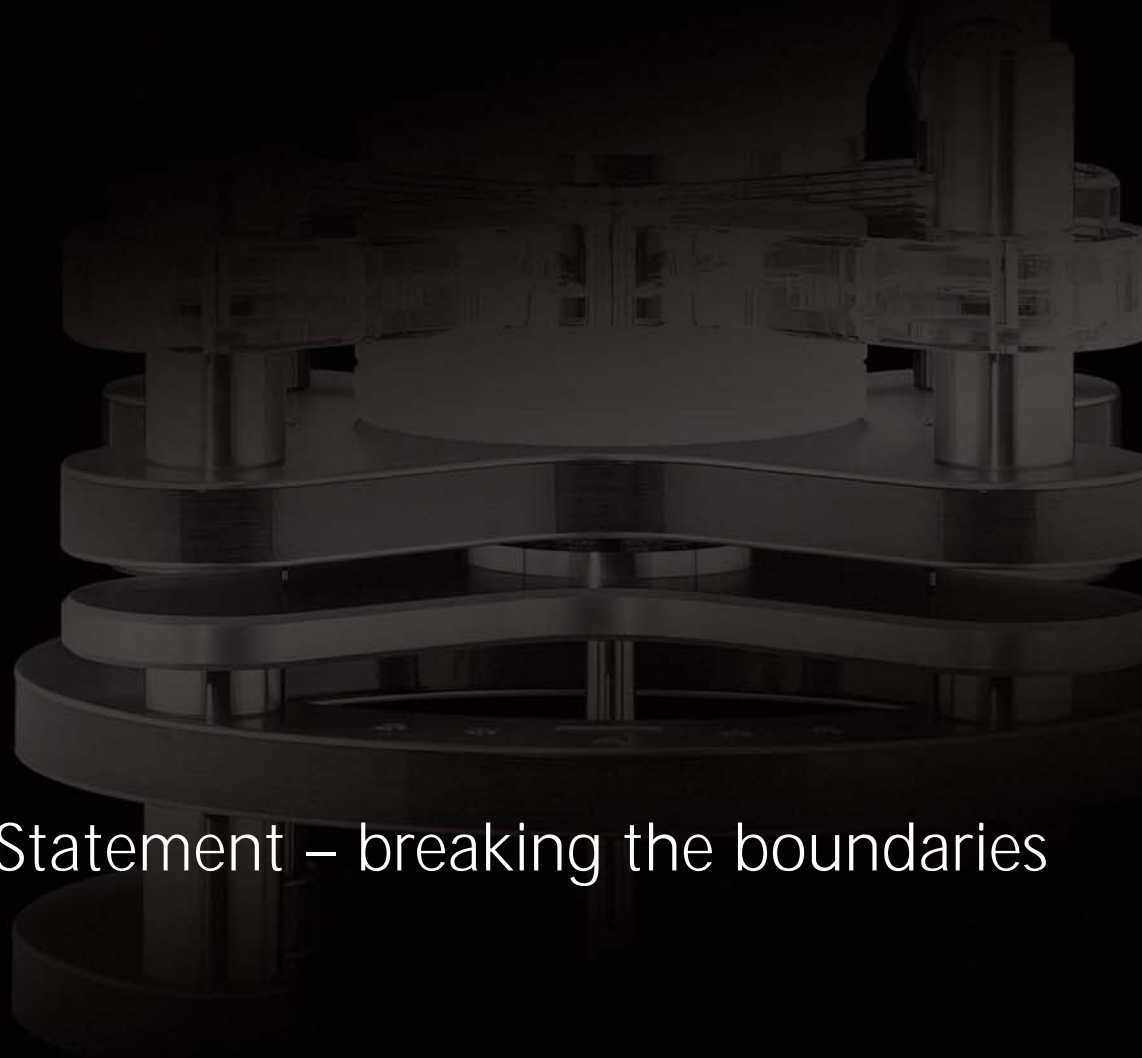




Statement – breaking the boundaries



Statement Turntable



"Take the best and make it better, only then it will be good enough..."

Based on this philosophy Clearaudio has been setting new standards in analogue music reproduction for more than 30 years. With their common love for music, Peter, Robert, Patrick and Veronika Suchy have designed an exceptional new turntable that breaks the boundaries and rules of music reproduction. The results of their tireless passion and commitment are the outstanding Statement Turntable and the tangential Statement Tonearm TT1, capable of reproducing music at its maximum fidelity.

The Statement Turntable combines unprecedented functionality, beautiful design & engineering with innovative patented Clearaudio technology.

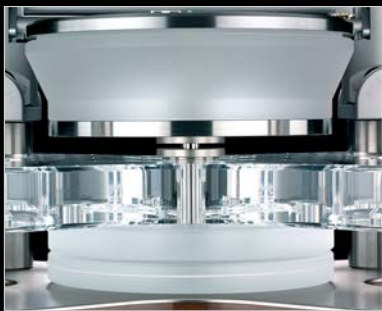
This fusion of extraordinary craftsmanship, attention to even the smallest detail and elaborate state-of-the-art engineering reflects the creativity and talent of the Suchy family.

The perfectly crafted Statement Turntable is borne of the endless passion to build turntables at the highest level that are inspiring and set new standards.

Clearaudio innovations elevate the performance to new levels.

Even the smallest and elaborate musical details are faithfully reproduced. Nothing is added, coloured, distorted or lost. Let your ears relax as they hear only the music, the complete and whole musical performance...

Discover a new dimension of music reproduction...



Patent pending non-contact magnetic drive system eliminates noise and wear



Revolutionary Clearaudio magnetic bearing design, eliminates friction with "floating platter".



Elegant, ergonomic controls with active real-time microprocessor speed control.



Damped self-levelling mechanism with massive stainless steel pendulum.



Statement Tonearm TT1



The tangential Statement Tonearm TT1 is designed and exquisitely engineered specifically for the Statement Turntable. This unique tonearm design is the culmination of all of our passion for music, together with the experience accumulated from more than 30 years of manufacturing the very finest high-end audio equipment. The result is a patented design that realises the optimal tangential tracking of any LP-record to send the listener on an emotional exploration, discovering musical information never heard before.

The Statement Tonearm TT1 provides the crowning glory to the Statement Turntable. Combined they possess a visually sculptural beauty and form a completely harmonious analogue playback system that is the key to unlocking another dimension of music reproduction.



Precise arm height adjustment allowing fine-tuning of VTA, even during playback



Solid precision arm-base rails provide accurate and smooth movement to and from the play position



Hand-engraved serial number plate finishes each individual state-of-the-art tonearm.



acrylic platter
(dynamically balanced)

STATEMENT Tangential
tonearm TT1

location of "Outer Limit"
is integrated into the platter

up to four different
tonearms can be mounted

acrylic main chassis

CFP (clearaudio floating platter)
system: axial magnetic platter
bearing (patent pend.)

magnetic transmission device
(patent pend.)

real time speed control with
active blue LCD display

solid stainless steel

DSL (damped self-levelling) pendulum:
80 kg pendulum for the turntable main
chassis self-levelling system

stainless steel "fly wheel"

high-speed microprocessor
controlled motor drive unit

solid stainless steel

4 oil dampers for the turntable
main chassis self-levelling system

gimbal-mounted chassis

full resonance-damped sandwich
stainless steel/bullet proof wood/
stainless steel

technical data

dimensions:

width: 690 mm

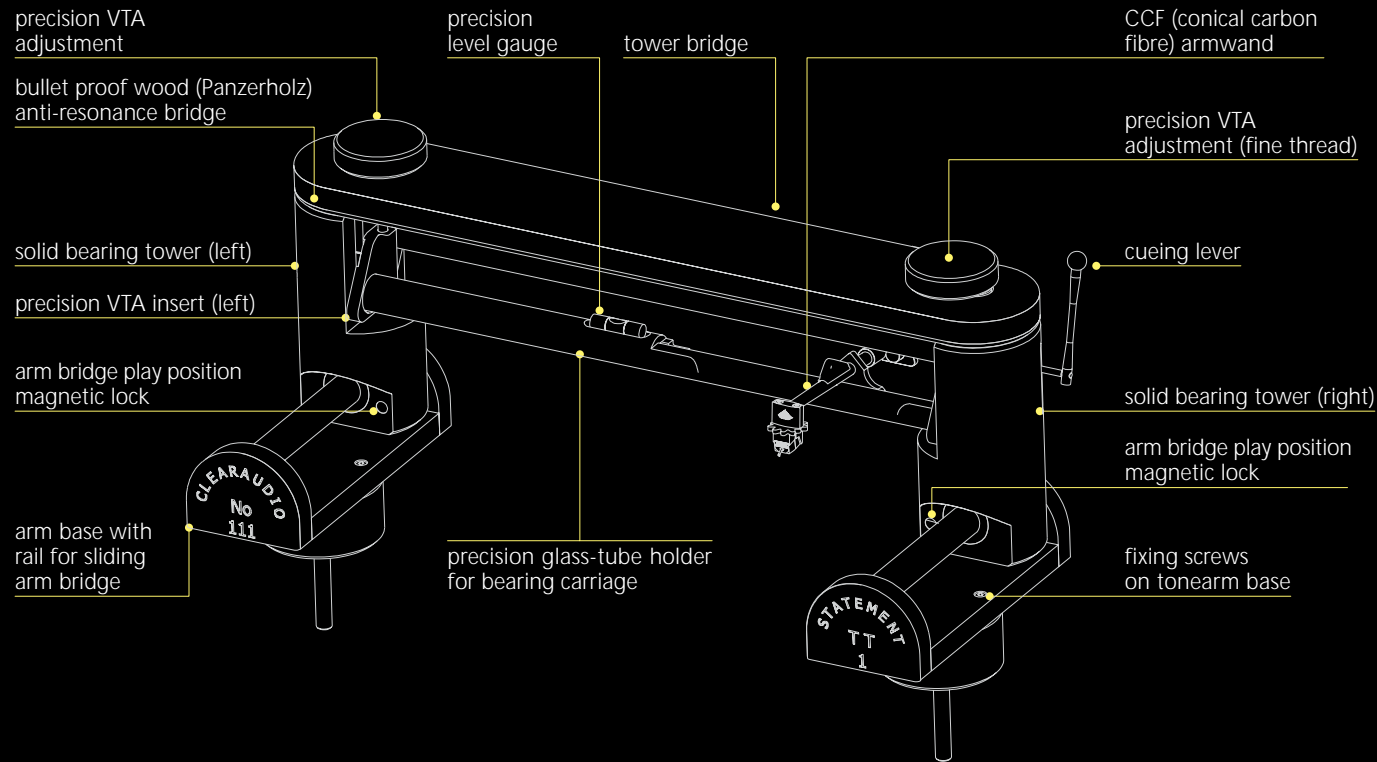
height: 1250 mm

depth: 570 mm

weight: approx. 350 kg

© clearaudio





technical data

dimensions: width height depth
 521mm 211mm 199mm

weight: 8,6 kg

construction: high precision mechanical, ultra low friction, linear tracking design

© clearaudio



Loving music

clearaudio electronic GmbH · Spardorfer Str. 150 · D-91054 Erlangen · Tel.: +49.91 31.5 95 95 · Fax: +49.91 31.5 16 83 · Mail: info@clearaudio.de

Made in Germany

www.clearaudio.de
www.analogshop.de